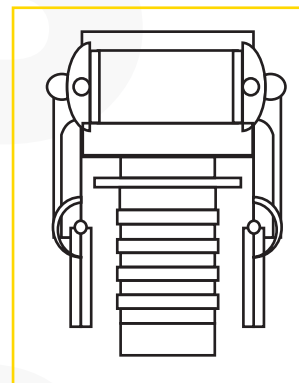


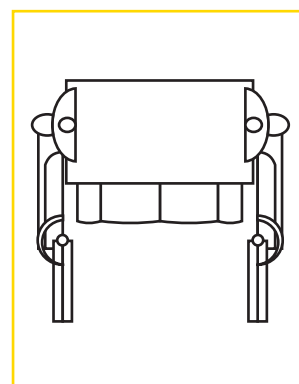
**RACCORD RAPIDE A CAME
TYPE C COUPLEUR, INSERT**

TUYAU D.l in	TUYAU D.l mm	RACCORD DN in	RACCORD DN mm
3/4	19	3/4	19
1	25	1	25
1 1/4	32	1 1/4	32
1 1/2	38	1 1/2	38
2	51	2	51
2 1/2	63	2 1/2	63
3	76	3	76
4	102	4	102
5	127	5	127
6	152	6	152



**RACCORD RAPIDE A CAME
TYPE D COUPLEUR FEMELLE BSP**

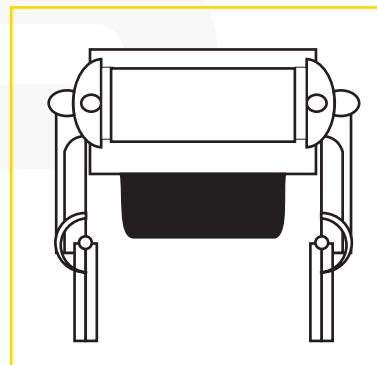
Filetage TYPE	Filetage TYPE	RACCORD DN in	RACCORD DN mm
3/4	BSP	3/4	19
1	BSP	1	25
1 1/4	BSP	1 1/4	32
1 1/2	BSP	1 1/2	38
2	BSP	2	51
2 1/2	BSP	2 1/2	63
3	BSP	3	76
4	BSP	4	102
5	BSP	5	127
6	BSP	6	152



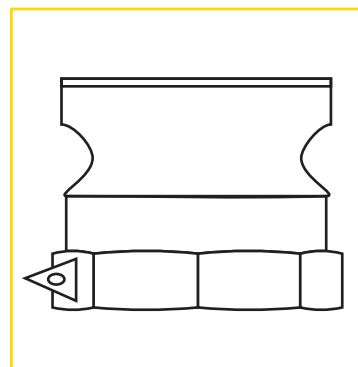
FLECOMAT

**RACCORD RAPIDE A CAMES
TYPE B COUPLEUR, MALE BSPT**

RACCORD DN in	RACCORD DN mm	FILETAGE in	FILETAGE Type
3/4	19	3/4	BSPT
1	25	1	BSPT
1 1/4	32	1 1/4	BSPT
1 1/2	38	1 1/2	BSPT
2	51	2	BSPT
2 1/2	63	2 1/2	BSPT
3	76	3	BSPT
4	102	4	BSPT
5	127	5	BSPT
6	152	6	BSPT

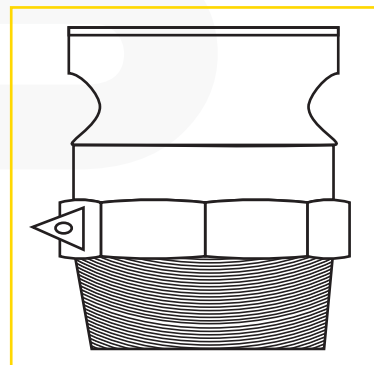

**RACCORD RAPIDE A CAMES
TYPE A ADAPTEUR, FEMELLE BSP**

Filetage TYPE	Filetage TYPE	RACCORD DN in	RACCORD DN mm
3/4	BSP	3/4	19
1	BSP	1	25
1 1/4	BSP	1 1/4	32
1 1/2	BSP	1 1/2	38
2	BSP	2	51
2 1/2	BSP	2 1/2	63
3	BSP	3	76
4	BSP	4	102
5	BSP	5	127
6	BSP	6	152



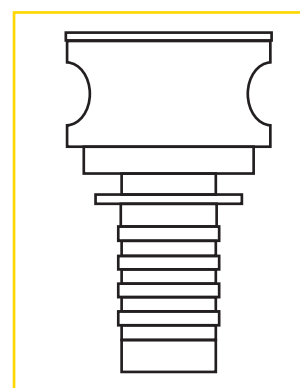
**RACCORD RAPIDE A CAMES
TYPE F ADAPTEUR, MALE BSPT**

RACCORD DN in	RACCORD DN mm	FILETAGE in	FILETAGE Type
3/4	19	3/4	BSPT
1	25	1	BSPT
1 1/4	32	1 1/4	BSPT
1 1/2	38	1 1/2	BSPT
2	51	2	BSPT
2 1/2	63	2 1/2	BSPT
3	76	3	BSPT
4	102	4	BSPT
5	127	5	BSPT
6	152	6	BSPT



**RACCORD RAPIDE A CAME
TYPE E ADAPTEUR, INSERT**

TUYAU D.I in	TUYAU D.I mm	RACCORD DN in	RACCORD DN mm
3/4	19	3/4	19
1	25	1	25
1 1/4	32	1 1/4	32
1 1/2	38	1 1/2	38
2	51	2	51
2 1/2	63	2 1/2	63
3	76	3	76
4	102	4	102
5	127	5	127
6	152	6	152



FLECOMAT