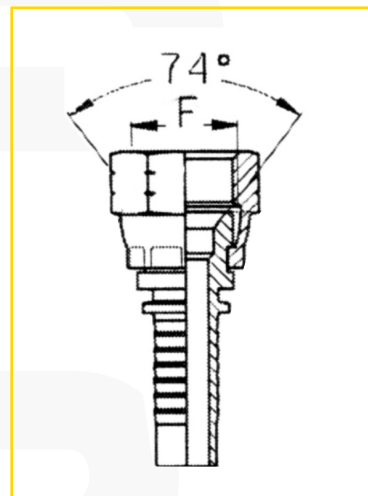


RACCORDS JIC

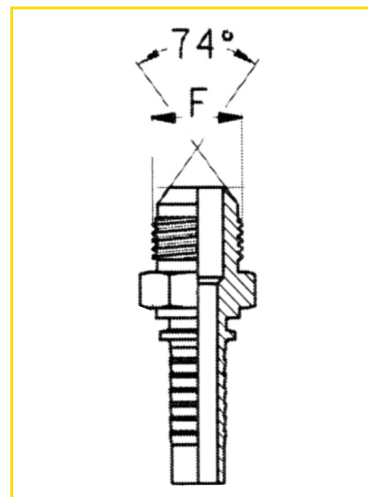
Embout FEMELLE JIC CONE 74°

CODE	DN Int Tuy		Désignation	FiletageUNF
	Inch	Mm		
J00740307	3/16	04	4FJIC 7/16	7/16-20
J00740407	1/4	06	6FJIC 7/16	7/16-20
J00740408	1/4	06	6FJIC 1/2	1/2-20
J00740409	1/4	06	6FJIC 9/16	9/16-18
J00740509	5/16	08	8FJIC 9/16	9/16-18
J00740609	3/8	10	10FJIC 9/16	9/16-18
J00740612	3/8	10	10FJIC 3/4	3/4-16
J00740812	1/2	12	13FJIC 3/4	3/4-16
J00741214	1/2	12	13FJIC 7/8	7/8-14
J00741017	5/8	16	16FJIC 1 1/16	1"1/16-12
J00741217	3/4	19	19FJIC 1 1/16	1"1/16-12
J00741221	3/4	19	19FJIC 1 5/16	1"5/16-12
J00741621	1"	25	25FJIC 1 5/16	1"5/16-12
J00741626	1"	25	25FJIC 1 5/8	1"5/8-12
J00742026	1" 1/4	32	32FJIC 1 5/8	1"5/8-12
J00742030	1" 1/4	32	32FJIC 1 7/8	1"7/8-12
J00742430	1" 1/2	38	38FJIC 1 7/8	1"7/8-12



Embout MALE JIC CONE 74°

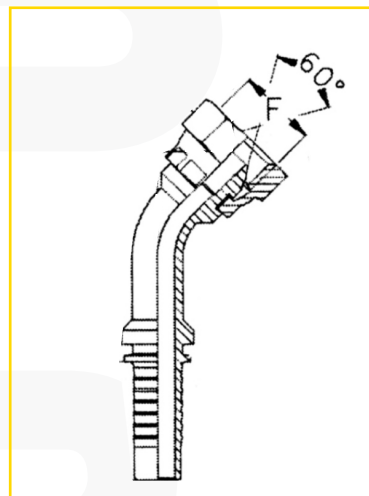
CODE	DN Int Tuy		Désignation	FiletageUNF
	Inch	Mm		
J01740307	3/16	04	4MJIC 7/16	7/16-20
J01740407	1/4	06	6MJIC 7/16	7/16-20
J01740408	1/4	06	6MJIC 1/2	1/2-20
J01740409	1/4	06	6MJIC 9/16	9/16-18
J01740509	5/16	08	8MJIC 9/16	9/16-18
J01740609	3/8	10	10MJIC 9/16	9/16-18
J01740612	3/8	10	10MJIC 3/4	3/4-16
J01740812	1/2	12	13MJIC 3/4	3/4-16
J01740814	1/2	12	13MJIC 7/8	7/8-14
J01741017	5/8	16	16MJIC 1 1/16	1"1/16-12
J01741217	3/4	19	19MJIC 1 1/16	1"1/16-12
J01741221	3/4	19	19MJIC 1 5/16	1"5/16-12
J01741621	1"	25	25MJIC 1 5/16	1"5/16-12
J01741626	1"	25	25MJIC 1 5/8	1"5/8-12
J01742026	1" 1/4	32	32MJIC 1 5/8	1"5/8-12
J01742030	1" 1/4	32	32MJIC 1 7/8	1"7/8-12
J01742430	1" 1/2	38	38MJIC 1 7/8	1"7/8-12



RACCORDS JIC

Embout FEMELLE JIC COUDE 45°

CODE	DN Int Tuy		Désignation	FiletageUNF
	Inch	Mm		
J04740407	1/4	06	6FJIC 45° 7/16	7/16-20
J04740408	1/4	06	6FJIC 45° 1/2	1/2-20
J04740509	5/16	08	8FJIC 45° 9/16	9/16-18
J04740609	3/8	10	10FJIC 45° 9/16	9/16-18
J04740612	3/8	10	10FJIC 45° 3/4	3/4-16
J04740812	1/2	12	13FJIC 45° 3/4	3/4-16
J04740814	1/2	12	13FJIC 45° 7/8	7/8-14
J04741017	5/8	16	16FJIC 45° 1 1/16	1" 1/16-12
J04741217	3/4	19	19FJIC 45° 1 1/16	1" 1/16-12
J04741221	3/4	19	19FJIC 45° 1 5/16	1" 5/16-12
J04741621	1"	25	25FJIC 45° 1 5/16	1" 5/16-12
J04741626	1"	25	25FJIC 45° 1 5/8	1" 5/8-12
J04742026	1" 1/4	32	32FJIC 45° 1 5/8	1" 5/8-12
J04742030	1" 1/4	32	32FJIC 45° 1 7/8	1" 7/8-12
J04742430	1" 1/2	38	38FJIC 45° 1 7/8	1" 7/8-12



Embout FEMELLE JIC COUDE 90°

CODE	DN Int Tuy		Désignation	FiletageUNF
	Inch	Mm		
J09740407	1/4	06	6FJIC 90° 7/16	7/16-20
J09740408	1/4	06	6FJIC 90° 1/2	1/2-20
J09740509	5/16	08	8FJIC 90° 9/16	9/16-18
J09740609	3/8	10	10FJIC 90° 9/16	9/16-18
J09740612	3/8	10	10FJIC 90° 3/4	3/4-16
J09740812	1/2	12	13FJIC 90° 3/4	3/4-16
J09741814	1/2	12	13FJIC 90° 7/8	7/8-14
J09741817	1/2	12	13FJIC 90° 1 1-16	1" 1/16-12
J09741017	5/8	16	16FJIC 90° 1 1/16	1" 1/16-12
J09741217	3/4	19	19FJIC 90° 1 1/16	1" 1/16-12
J09741221	3/4	19	19FJIC 90° 1 5/16	1" 5/16-12
J09741621	1"	25	25FJIC 90° 1 5/16	1" 5/16-12
J09741626	1"	25	25FJIC 90° 1 5/8	1" 5/8-12
J09742026	1" 1/4	32	32FJIC 90° 1 5/8	1" 5/8-12
J09742030	1" 1/4	32	32FJIC 90° 1 7/8	1" 7/8-12
J09742430	1" 1/2	38	38FJIC 90° 1 7/8	1" 7/8-12

