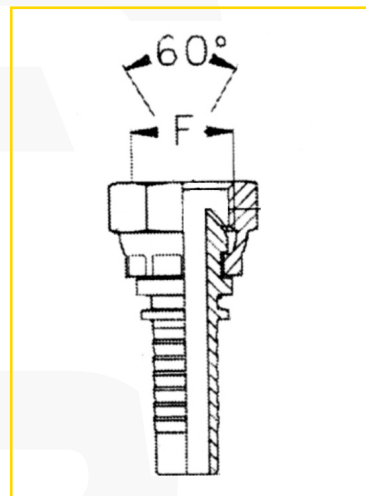


## RACCORDS BSP

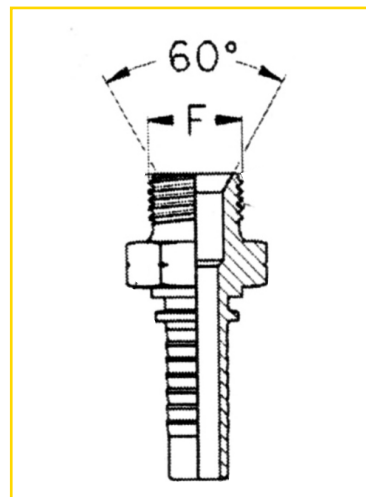
### Embout BSP Femelle Cone 60°

CODE	DN Int Tuy		Désignation	Filetage W
	Inch	Mm		
B00600302	3/16	04	4FBSP 1/8	1/8-27
B00600304	3/16	04	4FBSP 1/4	1/4-19
B00600402	1/4	06	6FBSP 1/8	1/8-27
B00600404	1/4	06	6FBSP 1/4	1/4-19
B00600406	1/4	06	6FBSP 3/8	3/8-19
B00600506	5/16	08	8FBSP 3/8	3/8-19
B00600606	3/8	10	10FBSP 3/8	3/8-19
B00600608	3/8	10	10FBSP 1/2	1/2-14
B00600808	1/2	12	13FBSP 1/2	1/2-14
B00600810	1/2	12	13FBSP 5/8	5/8-14
B00601010	5/8	16	16FBSP 5/8	5/8-14
B00601212	3/4	19	19FBSP 3/4	3/4-14
B00601616	1"	25	25 FBSP 1"	1"-11
B00602020	1" 1/4	32	32FBSP 1 1/4	1" 1/4-11
B00602424	1" 1/2	38	38FBSP 1 1/2	1" 1/2-11
B00603232	2"	50	50FBSP 2"	2"-11



### Embout BSP Male Siège 60°

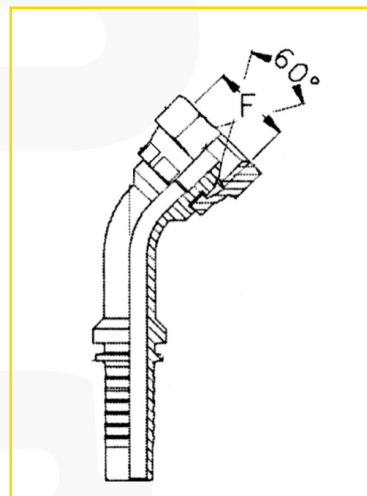
CODE	DN Int Tuy		Désignation	Filetage W
	Inch	Mm		
B01600302	3/16	04	4MBSP 1/8	1/8-27
B01600304	3/16	04	4MBSP 1/4	1/4-19
B01600402	1/4	06	6MBSP 1/8	1/8-27
B01600404	1/4	06	6MBSP 1/4	1/4-19
B01600406	1/4	06	6MBSP 3/8	3/8-19
B01600506	5/16	08	8MBSP 3/8	3/8-19
B01600606	3/8	10	10MBSP 3/8	3/8-19
B01600608	3/8	10	10MBSP 1/2	1/2-14
B01600808	1/2	12	13MBSP 1/2	1/2-14
B01601010	5/8	16	16MBSP 5/8	5/8-14
B01601212	3/4	19	19MBSP 3/4	3/4-14
B01601616	1"	25	25MBSP 1"	1"-11
B01602020	1" 1/4	32	32MBSP 1" 1/4	1" 1/4-11
B01602424	1" 1/2	38	38MBSP 1" 1/2	1" 1/2-11
B01603232	2"	50	50MBSP 2"	2"-11



**RACCORDS BSP**

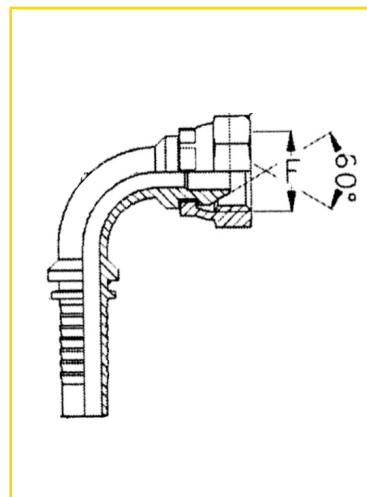
**Embout BSP Femelle Cone 60° coude 45°**

CODE	DN Int Tuy		Désignation	Filetage W
	Inch	Mm		
B04600302	3/16	04	4FBSP 45° 1/8	1/8-27
B04600402	1/4	06	6FBSP 45° 1/8	1/8-27
B04600404	1/4	06	6FBSP 45° 1/4	1/4-19
B04600506	5/16	08	8FBSP 45° 3/8	3/8-19
B04600606	3/8	10	10FBSP 45° 3/8	3/8-19
B04600608	3/8	10	10FBSP 45° 1/2	1/2-14
B04600808	1/2	12	13FBSP 45° 1/2	1/2-14
B04601010	5/8	16	16FBSP 45° 5/8	5/8-14
B04601212	3/4	19	19FBSP 45° 3/4	3/4-14
B04601616	1"	25	25FBSP 45° 1"	1"-11
B04602020	1" 1/4	32	32FBSP 45° 1 1/4	1"-1/4-11
B04602424	1" 1/2	38	38FBSP 45° 1 1/2	1" 1/2-11
B04603232	2"	50	50FBSP 45° 2"	2"-11



**Embout BSP Femelle Cone 60° coude 90°**

CODE	DN Int Tuy		Désignation	Filetage W
	Inch	Mm		
B09600302	3/16	04	4FBSP 90° 1/8	1/8-27
B09600402	1/4	06	6FBSP 90° 1/8	1/8-27
B09600404	1/4	06	6FBSP 90° 1/4	1/4-19
B09600506	5/16	08	8FBSP 90° 3/8	3/8-19
B09600606	3/8	10	10FBSP 90° 3/8	3/8-19
B09600608	3/8	10	10FBSP 90° 1/2	1/2-14
B09600808	1/2	12	13FBSP 90° 1/2	1/2-14
B09601010	5/8	16	16FBSP 90° 5/8	5/8-14
B09601212	3/4	19	19FBSP 90° 3/4	3/4-14
B09601616	1"	25	25 FBSP 90° 1"	1"-11
B09602020	1" 1/4	32	32FBSP 90° 1 1/4	1" 1/4-11
B09602424	1" 1/2	38	38FBSP 90° 1 1/2	1" 1/2-11
B09603232	2"	50	50FBSP 90° 2"	2"-11



## RACCORDS BSP

### MBSPT

#### Embout male gaz conique

CODE	DN Int Tuy		Désignation	Filetage W
	Inch	Mm		
BI1000404	1/4	06	6MBSPT 1/4	1/4-19
BI1000506	5/16	08	8MBSPT 3/8	3/8-19
BI1000606	3/8	10	10MBSPT 3/8	3/8-19
BI1000608	3/8	10	10MBSPT 1/2	1/2-14
BI1000808	1/2	12	13MBSPT 1/2	1/2-14
BI1001212	3/4	19	19MBSPT 3/4	3/4-14
BI1001616	1"	25	25MBSPT 1"	1"-11
BI1002020	1" 1/4	32	32MBSPT 1" 1/4	1" 1/4-11
BI1002424	1" 1/2	38	38MBSPT 1" 1/2	1" 1/2-11
BI1003232	2"	50	50MBSPT 2"	2"-11

